

## TYPE 1 SEAL AND COMMON PARTS LIST

ITEM NO.	DESCRIPTION	QTY. PER PUMP	PART NO.	NOTES
1	Deflector	1	69-1	
*	<b>Stationary Seal, Purebide</b>	1	23-17	
*	<b>Stationary Seal, Silicon Carbide</b>	1	23-17A	
*	<b>Stationary Seal, Tungsten Carbide</b>	1	23-17F	
3	Stationary Seal Retainer	1	23-78	
4	1/4-20 x 1/2 Bolt	4	30-62	
*	<b>Rotary Seal, Carbon</b>	1	9-225A	
*	<b>Rotary Seal, Purebide</b>	1	9-225B	
*	<b>Rotary Seal, Silicon Carbide</b>	1	9-225C	
*	<b>Rotary Seal, Tungsten Carbide</b>	1	9-225F	
6	1/4-20 x 3/8 Set Screw	2	30-178	
7	Spring Retainer	1	23-77	
*	<b>L-Gasket, FKM</b>	1	9-37	
*	<b>L-Gasket, EPDM</b>	1	9-37E	
*	<b>L-Gasket, Silicone</b>	1	9-37R	
*	<b>L-Gasket, FFKM</b>	1	9-37K	
*	<b>L-Gasket, substitute, Teflon</b>	1	20-278*	
*	<b>*Part used with 20-278</b>	1	T80041	
*	<b>Seal O-Ring, FKM</b>	1	V70224	
*	<b>Seal O-Ring, EPDM</b>	1	E70224	
*	<b>Seal O-Ring, Silicone</b>	1	S75224	
*	<b>Seal O-Ring, FFKM</b>	1	K75224	
10	Washer, tabbed	1	43-87	
11	Spring	3	24-65	
18	Block, Water (For type 1 cascade)	1	134-2	
19	8-32 x 1/4 Screw (For type 1 cascade)	1	30-176	
20	1/4" Plastic Hose (For type 1 cascade)	1	74-1	
21	1/4" Hose Fitting (For type 1 cascade)	1	78-18	
22	Shim, 1" x .005" 143-215JM	as req'd	35-1	
	Shim, 1" x .010" 143-215JM		35-2	
	Shim, 1" x .020" 143-215JM		35-3	
	Shim, 1-3/8" x .005" 254-326JM		35-4	
	Shim, 1-3/8" x .010" 254-326JM		35-5	
	Shim, 1-3/8" x .020" 254-326JM		35-6	

PL5030-CH11

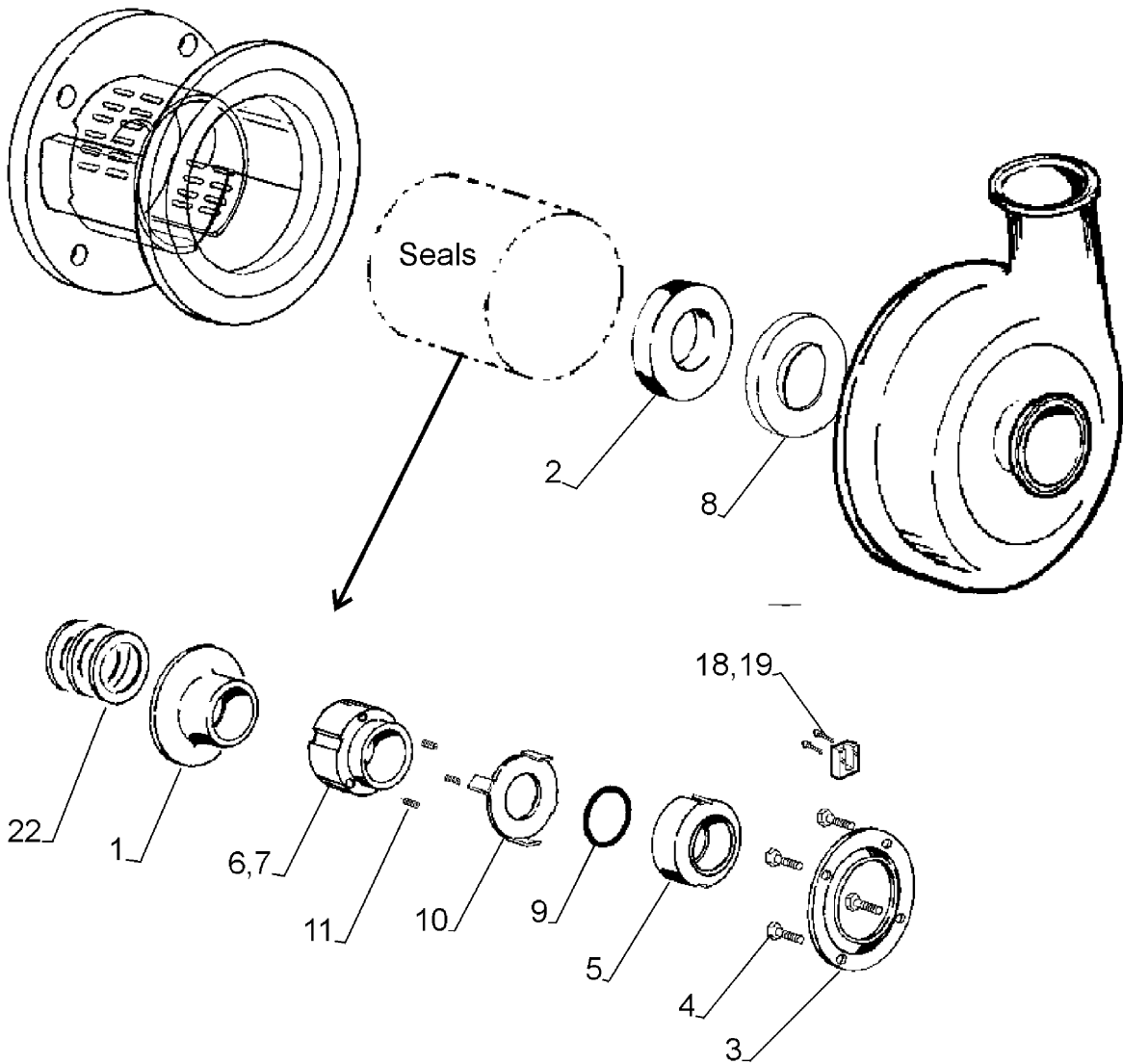
## NOTES:

Price of each F.O.B. Delavan, WI, subject to change without notice.

\* Recommended Spare Parts - available as kits for standard seals - see page 15.

**Holland**<sup>®</sup>  
**APPLIED TECHNOLOGIES**  
 Indianapolis • Chicago • San Juan  
[www.hollandapt.com](http://www.hollandapt.com)

TYPE 1 SEAL AND COMMON PARTS DIAGRAM



Ct100-167



## TYPE 4 SEAL AND COMMON PARTS LIST

ITEM NO.	DESCRIPTION	QTY. PER PUMP	PART NO.	NOTES
* 2	Stationary Seal, Purebide	2	23-17	
* 2	Stationary Seal, Silicon Carbide	2	23-17A	
* 2	Stationary Seal, Tungsten Carbide	2	23-17F	
* 5	Rotary Seal, Carbon	2	9-225A	
* 5	Rotary Seal, Purebide	2	9-225B	
* 5	Rotary Seal, Silicon Carbide	2	9-225C	
* 5	Rotary Seal, Tungsten Carbide	2	9-225F	
6	1/4-20 x 3/8 Set Screw	2	30-178	
7	Spring Retainer	1	23-77	
* 8	L-Gasket, FKM	2	9-37	
* 8	L-Gasket, EPDM	2	9-37E	
* 8	L-Gasket, Silicone	2	9-37R	
* 8	L-Gasket, FFKM	2	9-37K	
* 8	L-Gasket, substitute, Teflon	2	20-278*	
* 8	*Part used with 20-278	2	T80041	
* 9	Seal O-Ring, FKM	2	V70224	
* 9	Seal O-Ring, EPDM	2	E70224	
* 9	Seal O-Ring, Silicone	2	S75224	
* 9	Seal O-Ring, FFKM	2	K75224	
10	Washer, tabbed	2	43-87	
11	Spring	6	24-65	
* 12	O-Ring, Housing, FKM	2	V70039	
13	Housing, Seal	1	23-80	
14	Retainer, Seal	1	23-79	
15	1/4-20 x 3 Cap Screw	4	30-175	
16	Slinger, 143-215JM	1	69-4	
16	Deflector, 254-326JM	1	69-1	
17	1/4" NPT Plug	2	78-155	
22	Shim, 1" x .005" 143-215JM	as req'd	35-1	
22	Shim, 1" x .010" 143-215JM		35-2	
22	Shim, 1" x .020" 143-215JM		35-3	
22	Shim, 1-3/8" x .005" 254-326JM		35-4	
22	Shim, 1-3/8" x .010" 254-326JM		35-5	
22	Shim, 1-3/8" x .020" 254-326JM		35-6	

PL5030-CH12

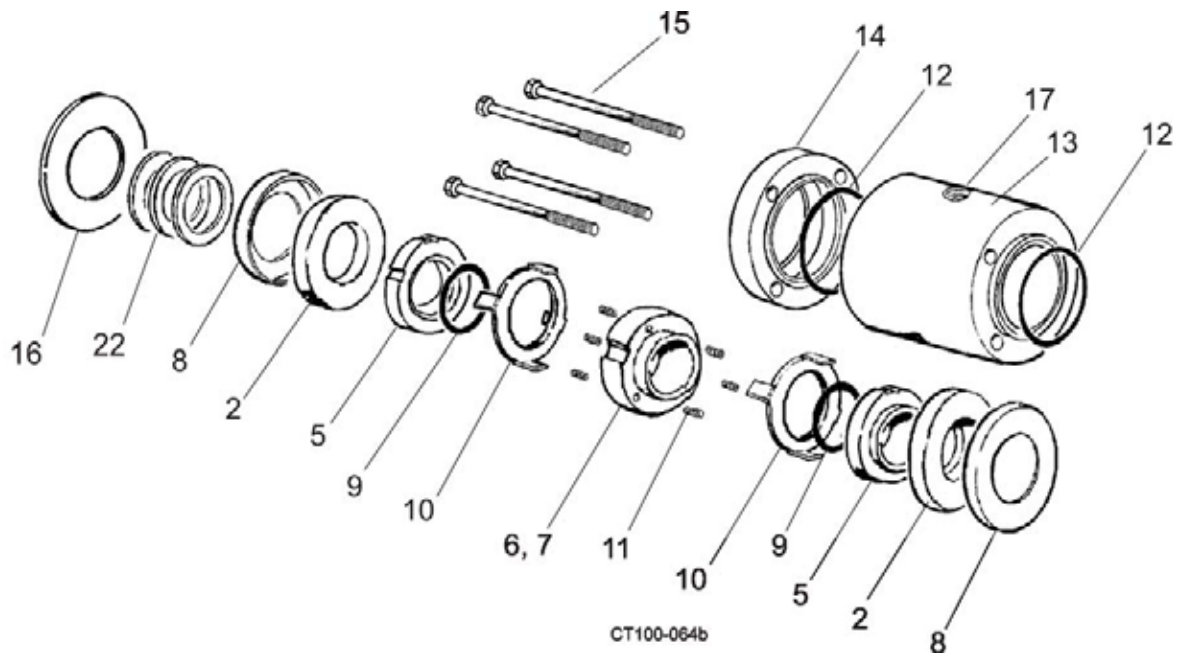
## NOTES:

Price of each F.O.B. Delavan, WI, subject to change without notice.

\* Recommended Spare Parts - available as kits for standard seals - see page 15.

**Holland**<sup>®</sup>  
**APPLIED TECHNOLOGIES**  
 Indianapolis • Chicago • San Juan  
[www.hollandapt.com](http://www.hollandapt.com)

**TYPE 4 SEAL AND COMMON PARTS DIAGRAM**



**TYPE 1 SEAL KITS**

**TYPE 1 BASIC SEAL KIT**

KIT CONTAINS		QTY. REQ. PER PUMP	QTY. IN TYPE 1 BASIC KIT	2045	2065LV 2065 2065HV	2075	2085LV 2085	2105
ITEM NO.	DESCRIPTION			2045	2065LV 2065 2065HV	2075	2085LV 2085	2105
4	Impeller Retainer O-Ring, FKM	1	1	V70214	V70220	V70220	V70220	V70220
5	Rotary Seal, Carbon	1	1	9-225A	9-225A	9-225A	9-225A	9-225A
6	Seal O-Ring, FKM	1	1	V70224	V70224	V70224	V70224	V70224
9	Casing O-Ring, FKM	1	1	V70252	V70439	V70446	V70446	V70450
<b>KIT PART NUMBER</b>				309-241	309-242	309-243	309-243	309-244

PL5030-CH13

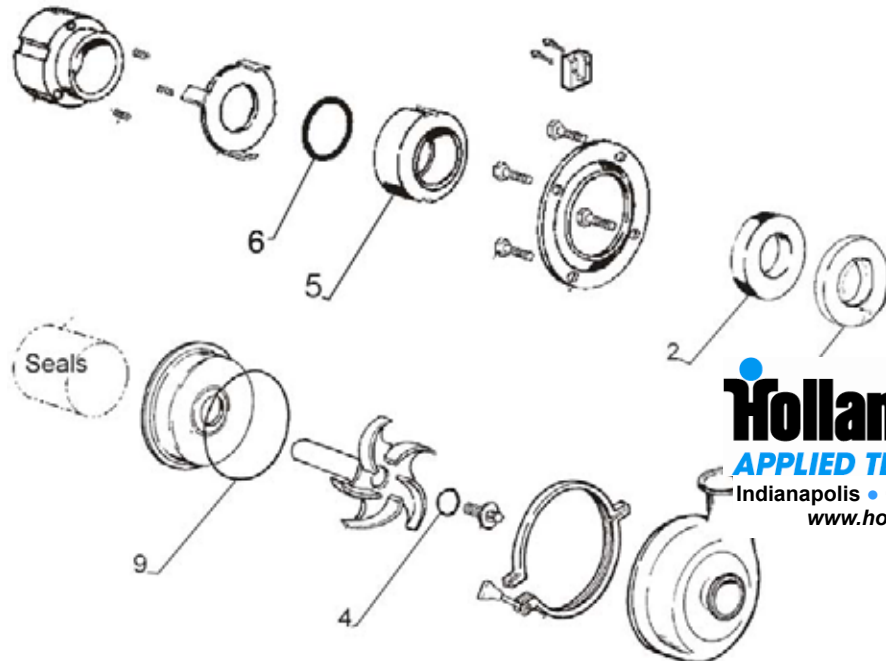
**TYPE 1 COMPLETE SEAL KIT**

KIT CONTAINS		QTY. REQ. PER PUMP	QTY. IN TYPE 1 BASIC KIT	2045	2065LV 2065 2065HV	2075	2085LV 2085	2105
ITEM NO.	DESCRIPTION			2045	2065LV 2065 2065HV	2075	2085LV 2085	2105
2	Stationary Seal, Purebide	1	1	23-17	23-17	23-17	23-17	23-17
4	Impeller Retainer O-Ring, FKM	1	1	V70214	V70220	V70220	V70220	V70220
5	Rotary Seal, Carbon	1	1	9-225A	9-225A	9-225A	9-225A	9-225A
6	Seal O-Ring, FKM	1	1	V70224	V70224	V70224	V70224	V70224
8	L-Gasket, FKM	1	1	9-37	9-37	9-37	9-37	9-37
9	Casing O-Ring, FKM	1	1	V70252	V70439	V70446	V70446	V70450
<b>KIT PART NUMBER</b>				309-245	309-246	309-247	309-247	309-248

PL5030-CH14

**NOTES:**

Price of each F.O.B. Delavan, WI, subject to change without notice.



CT100-172

**TYPE 4 SEAL KITS**

**TYPE 4 BASIC SEAL KIT**

KIT CONTAINS		QTY. REQ. PER PUMP	QTY. IN TYPE 1 BASIC KIT	2045	2065LV 2065 2065HV	2075	2085LV 2085	2105
ITEM NO.	DESCRIPTION			2045	2065LV 2065 2065HV	2075	2085LV 2085	2105
4	Impeller Retainer O-Ring, FKM	1	1	V70214	V70220	V70220	V70220	V70220
5	Rotary Seal, Carbon	2	2	9-225A	9-225A	9-225A	9-225A	9-225A
6	Seal O-Ring, FKM	2	2	V70224	V70224	V70224	V70224	V70224
9	Casing O-Ring, FKM	1	1	V70252	V70439	V70446	V70446	V70450
12	Seal Housing O-Ring, FKM	2	2	V70039	V70039	V70039	V70039	V70039
<b>KIT PART NUMBER</b>				309-249	309-250	309-251	309-251	309-252

PL5030-CH15

**TYPE 4 COMPLETE SEAL KIT**

KIT CONTAINS		QTY. REQ. PER PUMP	QTY. IN TYPE 1 BASIC KIT	2045	2065LV 2065 2065HV	2075	2085LV 2085	2105
ITEM NO.	DESCRIPTION			2045	2065LV 2065 2065HV	2075	2085LV 2085	2105
2	Stationary Seal, Purebide	2	2	23-17	23-17	23-17	23-17	23-17
4	Impeller Retainer O-Ring, FKM	1	1	V70214	V70220	V70220	V70220	V70220
5	Rotary Seal, Carbon	2	2	9-225A	9-225A	9-225A	9-225A	9-225A
6	Seal O-Ring, FKM	2	2	V70224	V70224	V70224	V70224	V70224
8	L-Gasket, FKM	2	2	9-37	9-37	9-37	9-37	9-37
9	Casing O-Ring, FKM	1	1	V70252	V70439	V70446	V70446	V70450
12	Seal Housing O-Ring, FKM	2	2	V70039	V70039	V70039	V70039	V70039
<b>KIT PART NUMBER</b>				309-253	309-254	309-255	309-255	309-256

PL5030-CH16

**NOTES:**

Price of each F.O.B. Delavan, WI, subject to change without notice.

