

2105 PUMP PARTS LIST

ITEM NO.	DESCRIPTION	QTY. PER PUMP	PART NO.	NOTES
1	Casing (see list following)	1		
2	Impeller, 10.5" Dia., 184-215JM Frame SM Bore	1	CENTPT00643	1
	Impeller, 10.5" Dia., 254-326JM Frame LG Bore	1	CENTPT00644	1
3	Impeller Retainer, 184-214JM, SM Bore	1	129-771X	
	Impeller Retainer, 254-326JM, LG Bore	1	129-772X	
* * * * *	Impeller O-Ring, FKM	1	V70220	
	Impeller O-Ring, EPDM	1	E70220	
	Impeller O-Ring, Silicone	1	S75220	
	Impeller O-Ring, FFKM	1	K75220	
	Impeller O-Ring, PTFE ENCAPSULATED	1	T80220	
5	Adapter, 184JM Frame, STD	1	2-233	
	Adapter, 213-215JM Frame, STD.	1	2-230	
	Adapter, 254-256JM Frame, STD.	1	2-231	
	Adapter, 284-326JM Frame, STD.	1	2-232	
	Adapter, 184JM Frame, SS	1	114442	
	Adapter, 213-215JM Frame, SS	1	114443	
	Adapter, 254-256JM Frame, SS	1	114444	
	Adapter, 284-326JM Frame, SS	1	114445	
6	Seal Guard, 184JM Frame	1	70-23	
	Seal Guard for Machined Backplate	1	114508	4
	Seal Guard, 213-256JM Frame	1	70-24	
	Seal Guard, 284-326JM Frame	1	70-25	
7	3/8-16 x 1" Hex Screw, 184JM Frame	4	30-30	
	1/2-13 x 1-1/4" Hex Screw, 213-256JM Frame	4	30-36X	
	5/8-11 x 1-1/2" Hex Screw, 284-326JM Frame	4	30-105	
8	3/8" Lockwasher	4	43-28	
	1/2" Lockwasher	4	43-16	
	5/8" Lockwasher	4	43-33	
* * * * *	Casing O-Ring, FKM	1	V70450	
	Casing O-Ring, EPDM	1	E70450	
	Casing O-Ring, Silicone	1	S75450	
	Casing O-Ring, FFKM	1	K75450	
	Casing O-Ring, PTFE ENCAPSULATED	1	T80450	
10	Backplate	1	1-29X	
11	Casing Clamp	1	119-223	
12	Key-3/16", 184-215JM, SM Bore	1	65-3	
	Key-1/4", 254-326JM, LG Bore	1	65-4	

PL5030-CH9

NOTES:

Price of each F.O.B. Delavan, WI, subject to change without notice.

* Recommended Spare Parts - available as kits for standard seals - see page 15.

1. Trimmed impellers use same part number and price; specify diameter required in 1/8" increments on order.

4. For machined backplates starting November, 2000.

Holland[®]
APPLIED TECHNOLOGIES
 Indianapolis • Chicago • San Juan
www.hollandapt.com

2105 CASING PARTS LIST

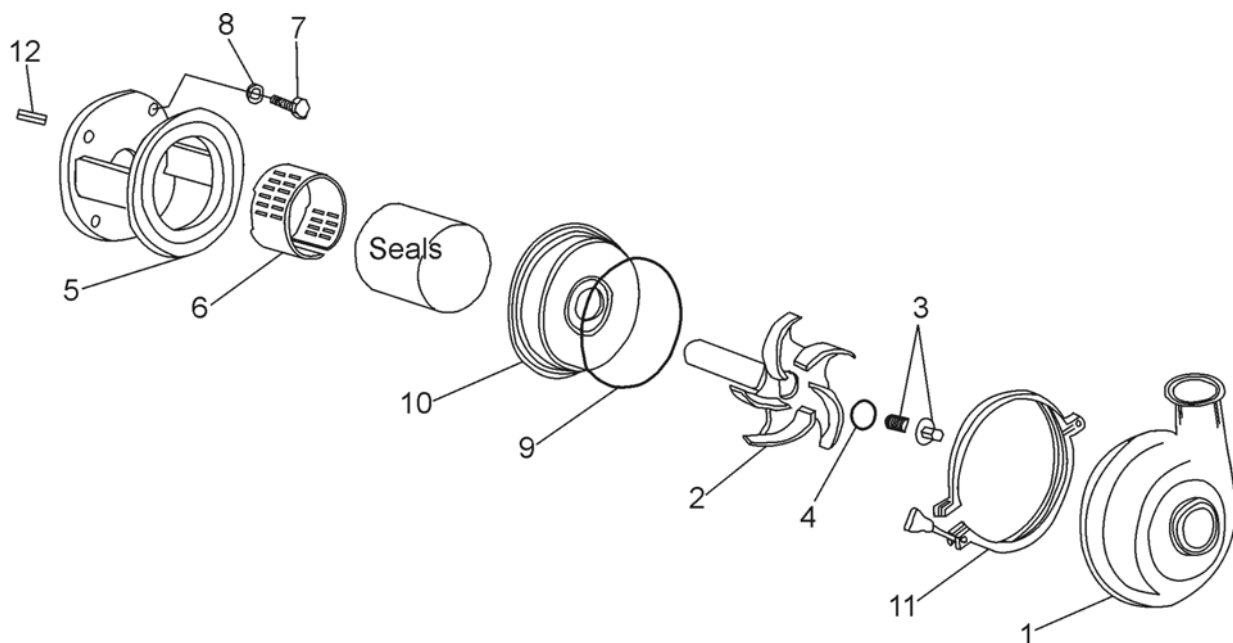
FITTING TYPE	SANITARY		NOTES
	4 X 4	6 X 4	
S-Line	CENTPT00645	CENTPT00646	
Bevel Seat	CENTPT00647	CENTPT00648	
I-Line; Female	CENTPT00649	CENTPT00650	
I-Line; Male	CENTPT00651	CENTPT00652	
Q-LINE	CENTPT00653	CENTPT00654	
Weld	CENTPT00655	CENTPT00656	
NPT; Male	CENTPT00657	CENTPT00658	1
NPT; Female	CENTPT00659	CENTPT00660	1
150 LB. Flange	CENTPT00661	CENTPT00662	1

PL5030-CH10

NOTES:

Price of each F.O.B. Delavan, WI, subject to change without notice.

1. These casings **do not** meet the requirements of 3A Sanitary Standards.



CT100-113a

