

2045 PUMP PARTS LIST

ITEM NO.	DESCRIPTION	QTY. PER PUMP	PART NO.	NOTES
1	Casing (see list following)	1		
2	Impeller, Full 4.5" Diameter	1	CENTPT00476	1
3	Impeller Retainer	1	129-773X	
* 4	Impeller O-Ring, FKM	1	V70214	
* 4	Impeller O-Ring, EPDM	1	E70214	
* 4	Impeller O-Ring, Silicone	1	S75214	
* 4	Impeller O-Ring, FFKM	1	K75214	
* 4	Impeller O-Ring, PTFE ENCAP.	1	T80214	
5	Adapter, 143JM - 184JM Frame, STD.	1	2-235	
	Adapter, 143JM - 184JM Frame, SS	1	114217	
6	Seal Guard	1	70-27	
7	3/8 - 16 x 3/4" Hex Screw	4	30-50	
8	3/8" Lockwasher	4	43-28	
* 9	Casing O-Ring, FKM	1	V70252	
* 9	Casing O-Ring, EPDM	1	E70252	
* 9	Casing O-Ring, Silicone	1	S75252	
* 9	Casing O-Ring, FFKM	1	K75252	
* 9	Casing O-Ring, PTFE ENCAP.	1	T80252	
10	Backplate	1	1-59X	
11	Casing Clamp	1	119-71	
12	Key - 3/16"	1	65-3	

PL5030-CH1

NOTES:

Price of each F.O.B. Delavan, WI, subject to change without notice.

* Recommended Spare Parts - available as kits for standard seals - see page 15.

1. Trimmed impellers use same part number and price; specify diameter required in 1/8" increments on order.



2045 CASING PARTS LIST

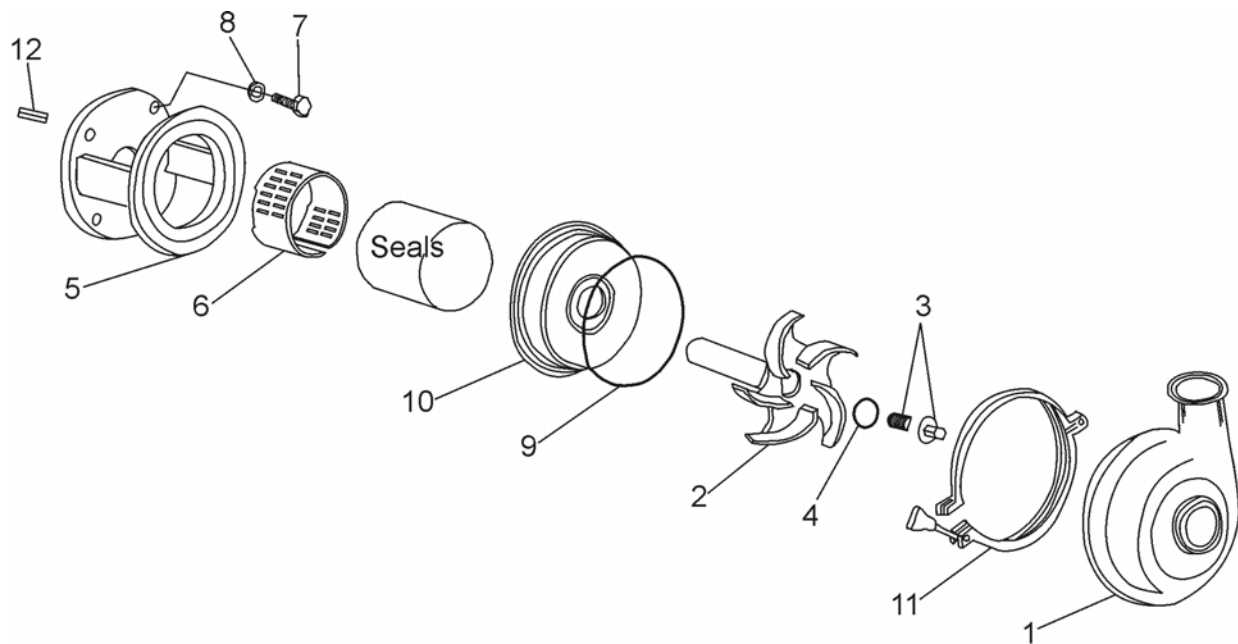
FITTING TYPE	SANITARY		NOTES
	1-1/2 x 1-1/2	2 x 1-1/2	
S-Line (MP)	CENTPT00549	CENTPT00550	
Bevel Seat	CENTPT00551	CENTPT00552	
I-Line; Female	CENTPT00553	CENTPT00554	
I-Line; Male	CENTPT00555	CENTPT00556	
Q-Line	CENTPT00557	CENTPT00558	
Weld	CENTPT00559	CENTPT00560	
NPT; Male	CENTPT00561	CENTPT00562	1
NPT; Female	CENTPT00563	CENTPT00564	1
150 LB. Flange	CENTPT00565	CENTPT00566	1

PL5030-CH2

NOTES:

Price of each F.O.B. Delavan, WI, subject to change without notice.

1. These casings **do not** meet the requirements of 3A Sanitary Standards.



CT100-113a

